

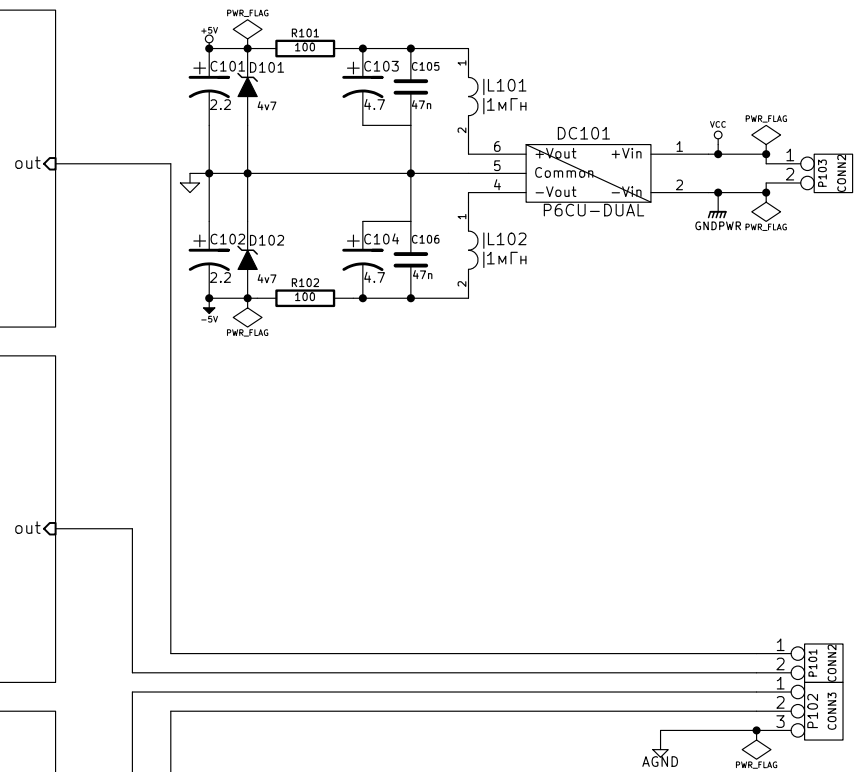
SheetChanA

chanA.sch
SheetChanB

chanB.sch
SheetChanC

chanC.sch
SheetChanD

chanD.sch



File: Galvanic.sch	
Sheet: /	
Title: Galvanic isolation	
Size: A4	Date: 28 jun 2014
KiCad E.D.A.	Rev: 1/5